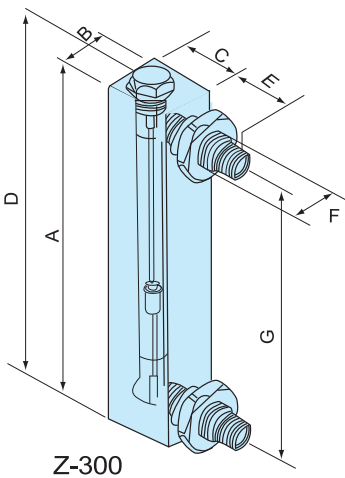


Z-300

| Model | Measuring range | | Thread | Weight kg | Working pressure | Accuracy | Temp. °C |
|--------|-----------------|---------|---------|-----------|------------------|----------|----------|
| | GPM | LPM | | | | | |
| Z-3000 | 0.03~0.35 | 0.1~1.4 | BSP1/2" | 0.4 | ≤ 0.6MPa | ± 5% | ≤ 55 |
| Z-3001 | 0.2~2 | 1~7 | | | | | |
| Z-3002 | 0.5~5 | 1.8~18 | | | | | |
| Z-3003 | 2~10 | 5~40 | BSP3/4" | 0.6 | | | |
| Z-3004 | 2~16 | 10~60 | | | | | |
| Z-3005 | 4~24 | 20~100 | BSP1" | 0.7 | | | |
| Z-3006 | 5~35 | 30~130 | | | | | |

Sizes

| Model | (mm) | | | | | | |
|--------|------|----|----|-----|----|----|-----|
| | A | B | C | D | E | F | G |
| Z-3000 | | | | | | | |
| Z-3001 | 206 | 34 | 40 | 215 | 31 | 20 | 165 |
| Z-3002 | | | | | | | |
| Z-3003 | 220 | 41 | 45 | 233 | 47 | 33 | 165 |
| Z-3004 | | | | | | | |
| Z-3005 | 240 | 44 | 50 | 253 | 47 | 33 | 175 |
| Z-3006 | | | | | | | |



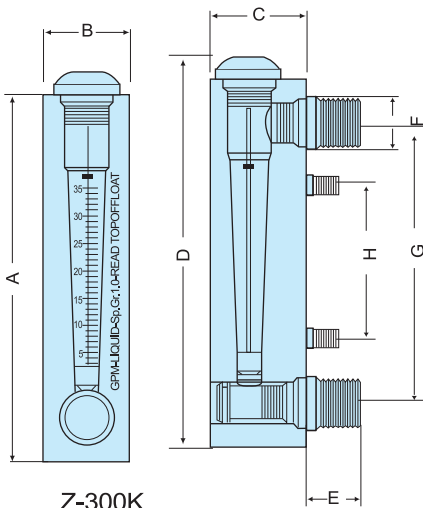
Z-300

Z-300K

| Model | Measuring range | | Thread | Weight (kg) | Working pressure | Accuracy | Temp(°C) |
|-------|-----------------|--------|--------|-------------|------------------|----------|------------|
| | GPM | LPM | | | | | |
| K1 | 0.1~1 | 0.5~4 | ZG1/2" | 0.3 | ≤ 0.6MPa | ± 5 % | ≤ 55 |
| K2 | 0.2~2 | 1~7 | | | | | |
| K2a | 0.3~3 | 2~11 | | | | | |
| K3 | 0.5~5 | 2~18 | | | | | |
| K4 | 1~10 | 5~35 | ZG1" | 0.6 | | | |
| K5 | 2~14 | 10~50 | | | | | |
| K6 | 2~20 | 10~70 | | | | | |
| K7 | 5~35 | 10~130 | | | | | |

Sizes

| Model | (mm) | | | | | | | |
|--------------|------|----|----|-----|----|----|-----|-----|
| | A | B | C | D | E | F | G | H |
| K1 K2 K2a K3 | 168 | 30 | 34 | 176 | 25 | 25 | 127 | 76 |
| K4 K5 K6 K7 | 226 | 45 | 46 | 232 | 48 | 33 | 165 | 100 |



Z-300K