

## Type MN50

### Oval gear meters for industrial fluids



#### Features

- Large viscosity range
- Good accuracy
- Aluminium, bronze or stainless steel housing
- Mechanical or electronic register, ex-proof, can be mounted upon request

#### Description

The volumetric meters of the MN-series are working on the oval gear measurement principle and are ideally suited for flow measurement of mechanically pure fluids within a large viscosity range. Their simple design makes maintenance on site easy. Only two rotative parts are in contact with the fluid.

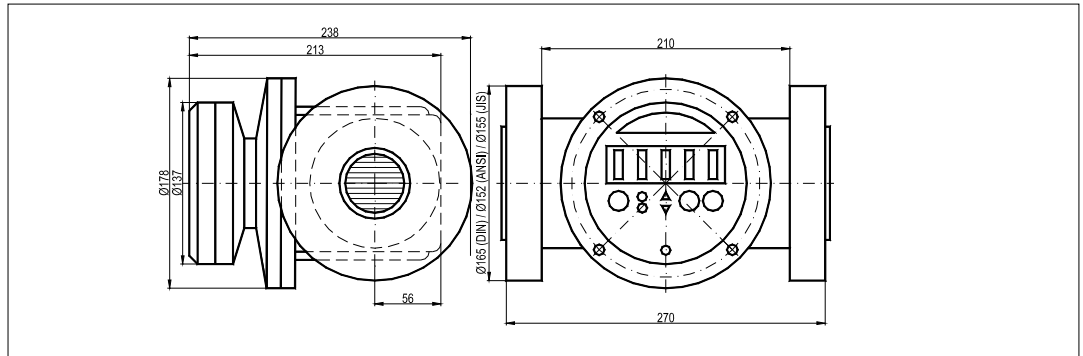
#### Technical data

Model	with pulse transmitter	with electronic display	with mechanical display
Size	DN 50		
Flow range	under 5 mPas: 1800 – 18000 l/h, over 5 mPas: 900 – 21000 l/h		
Accuracy	±0,5% of value		±1% of value
Repeatability	0,03%		
Max. viscosity	1000 mPas*		
Max. pressure	18 bars	18 bars	18 bars
Max. temperature	80°C / 120°C / 150°C		
Pulse rate	6,68 PPL		---
Pulse transmitter	Reedswitch		
Recommended filter unit	0,1 mm		
Register	none	electronic	mechanical**
Process connections	R2" / DN 50 / ANSI 2" / Triclamp		
Housing material	Alu/316 SS/Bronze		
Oval gear material	PPS/316 SS		
Option	Pulse transmitter / hall effect sensor; Standard LCD display / Option with EEx-i; Deluxe LCD pre-set meter / option with EEx-i		

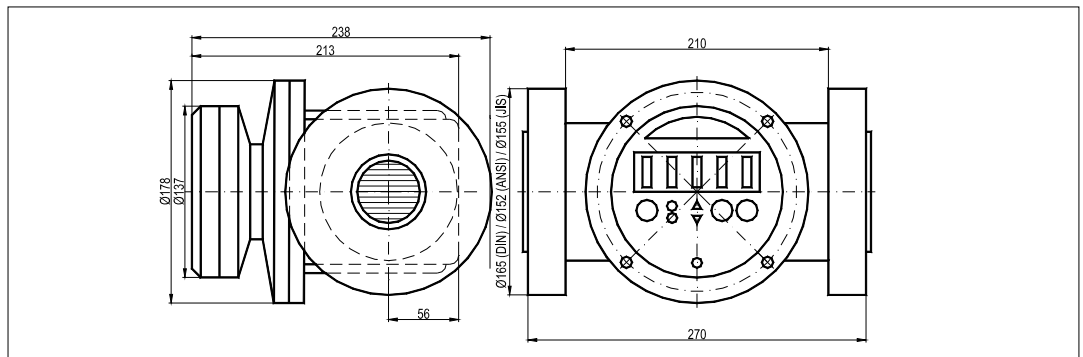
\*With special oval gears up to 1.000.000 mPas

\*\*No pulse transmitter in connection with mechanical register

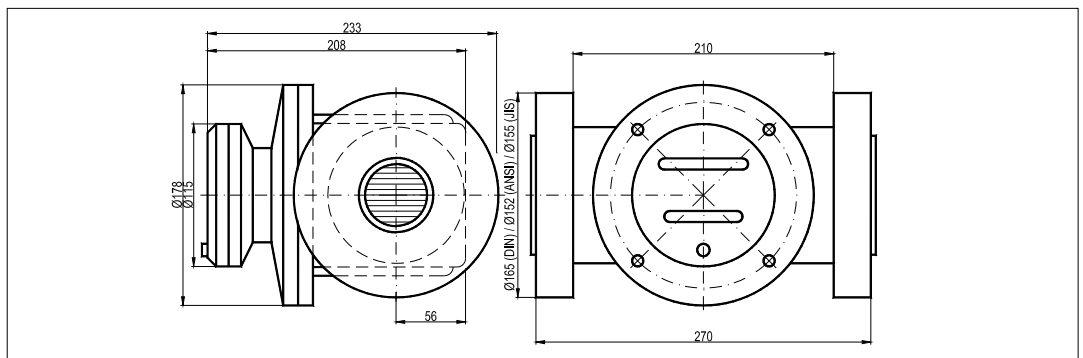
### MN50 Deluxe LC display



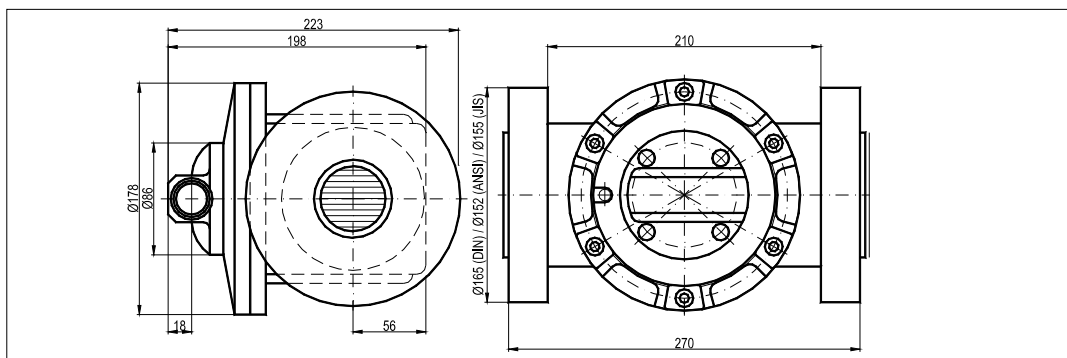
### MN50 Deluxe LC display



### MN50 Mechanical display



### MN50 Pulse meter



### MN50 Mechanical display, analogue

